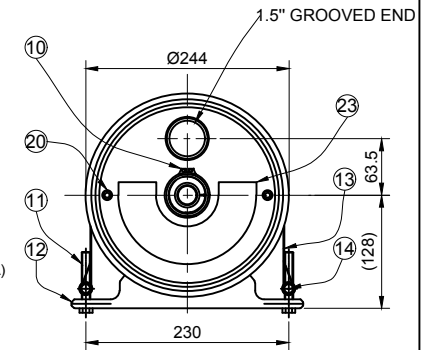
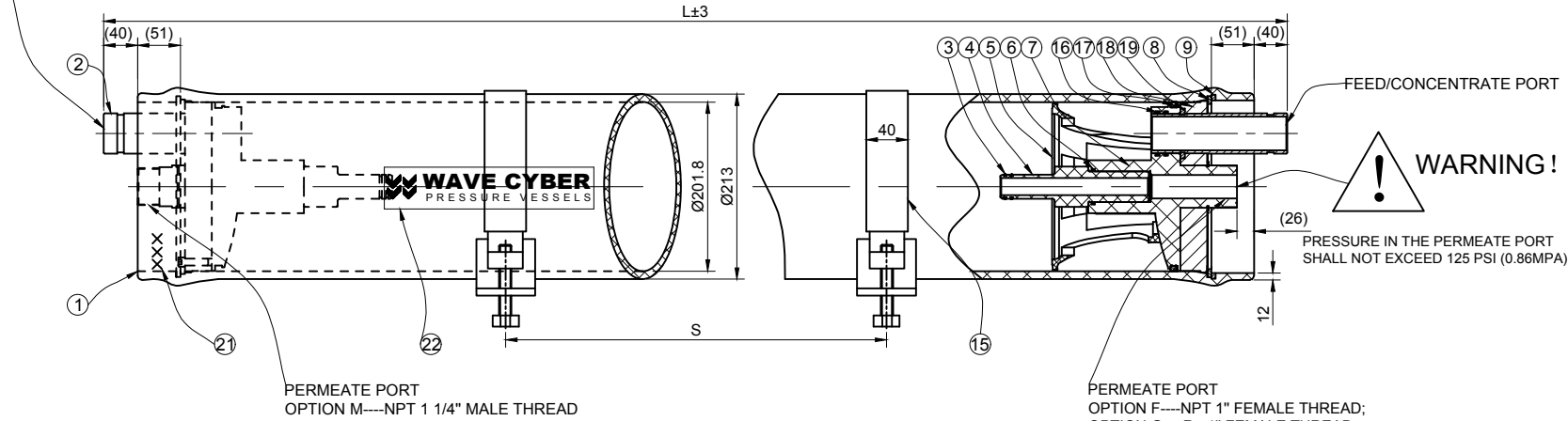


FEED/CONCENTRATE PORT



PERMEATE PORT
 OPTION F----NPT 1" FEMALE THREAD;
 OPTION G----Rp 1" FEMALE THREAD;
 OPTION H---- UNION ADAPTOR;
 FIT 32mm(O.D) PIPE
 OPTION J----UNION ADAPTOR;
 FIT 1.32"(O.D) PIPE
 OPTION V----Mechanical Coupling 1"-ABS;
 OPTION S----Mechanical Coupling 1"-SS;

PERMEATE PORT
 OPTION M----NPT 1 1/4" MALE THREAD

1. Flexible piping should be used on permeate connection to manifold.
2. MPV is not designed for negative pressures.

PERMEATE PORT 450 PSI	DRAWING NO.	DESCRIPTION	CODE	PERMEATE PORT SPECS	COMPUTER CODE
	24300-03-09	N	NPT 1 1/2" MALE THREAD		11156
	24300-03-06	M	NPT 1 1/4" MALE THREAD		10109
	24300-03-03	S	MECHANICAL COUPLING 1"-SS		10094
	24300-03-03	V	MECHANICAL COUPLING 1"-ABS		10094
	24300-03-03	J	UNION ADAPTOR(American Standard)		10094
	24300-03-03	F	NPT 1" FEMALE THREAD		10094
	24300-03-03	G	Rp 1" FEMALE THREAD		10094
	24300-03-03	H	UNION ADAPTOR(National Standard)		10094

SHELL Length Code	L Inch (mm)	S Span Inch (mm)	Shell Weight lb (kg)
-1	62.4 (1586)	1@28 (711)	37.4 (17)
-1.5	82.4 (2094)	1@42 (1067)	47.3 (21.5)
-2	102.4 (2602)	1@56 (1422)	55 (25)
-3	142.4 (3618)	1@80 (2032)	72.6 (33)
-4	182.4 (4634)	2@64 (1626)	90.2 (41)
-5	222.4 (5650)	2@78 (1981)	107.8 (49)
-6	262.4 (6666)	2@92 (2337)	125.4 (57)
-7	302.4 (7682)	2@106 (2692)	143 (65)
-7.5	322.4 (8190)	2@114 (2896)	152.9 (69.5)
-8	342.4 (8698)	2@120 (3048)	160.6 (73)

ITEM	DESCRIPTION	DRAWING NO.	QTY	MATERIAL	COMPUTER CODE
23	ALUMINUM PLATE LABEL		2	ADHESIVE LABEL	40247
22	LOGO LABEL		2	ADHESIVE LABEL	40255
21	SERIAL NO. LABEL		1	ARTPAPER 20*53	40425
20	ALLEN SCREW		4	M5*10 STAINLESS STEEL	20132
19	PORT RETAINING RING	(24400-08)ED40-08-06	2	316L	20119
18	BEARING PLATE	(24400-05)ED40-08-05	2	ALUMINUM ALLOY	20067
17	HEAD SEAL	23300-26	2	EPDM	10175
16	FEED PORT O RING	(24300-04)ED25-08-04	4	EPDM	10180
15	STRAP PROTECTIVE JACKET	(23300-19)EC30-08-19	2or3	SOFT PVC	10188
14	STRAP NUT	(23300-18)EC30-08-18	4or6	Hpb58-1	20123
13	STRAP	(23300-17)EC30-08-17	2or3	304	20123
12	SADDLE	(23300-16)EC30-08-16	4or6	NB*30 STAINLESS STEEL	10141-1
11	STRAP SCREW		2	316	20129
10	PERMEATE RETAINING RING	(23300-03)EC30-08-03	2	316	20107
9	EMBEDDED RING	(23450-15)EC45-08-15	2	316L	20073
8	RETAINING RING	(23300-12)EC30-08-12	2	316	20025
7	PERMEATE PORT	SEE "PERMEATE PORT CONFIGURATIONS"	2	PP	SEE THE CHART
6	PERMEATE PORT O RING	(23300-08)EC30-08-08	2	EPDM	10181
5	THRUST CONE	(24300-07)ED25-08-07	1	PP	10193
4	ADAPTOR(Ø29.1)	(23300-13)EC30-08-13	2	ABS	10125
3	ADAPTOR O RING	(23300-14)EC30-08-14	4	EPDM	10182
2	FEED/CONCENTRATE PORT	(24400-02)ED40-08-02	2	316	20102
1	SHELL	(24450-01)ED45-08-01	1	FIBER GLASS + EPOXY	

TECHNICAL REQUIREMENT

1. DESIGN PRESSURE 450PSI(3.1Mpa) ;
2. DESIGN TEMPERATURE 149°F(65°C) ;
3. MIN ALLOWABLE TEMPERATURE 20°F(-7°C) ;
4. WORKING MEDIUM, WATER pH RANGE 3~10;
5. PLEASE OPERATE IN ACCORDANCE WITH USER MANUAL ;
6. SPARE PARTS FORM JUST FOR REFERENCE, SPECIFIC FORM OF THE SPARE PART DRAWING PREVAIL.

REVISION	DESCRIPTION	SIGNATURE	DATE
	REFERENTIAL PLASTIC SHRINKAGE (IF NECESSARY);		
SIGNATURE		WAVE CYBER (SHANGHAI) CO., LTD.	
DESIGN	NAME		
INSPECTION		SCALE 1:6	MATERIAL
APPROVAL		QUANTITY	SMOOTHNESS
THIS PRODUCT DRAWING CAN NOT BE COPIED AND/OR USED WITHOUT PRIOR WRITTEN APPROVAL OF WAVE CYBER.		PROJECTION	COMPUTER CODE
		DO NOT MEASURE THE DIMENSIONS.	
		MODEL WAVE-450E-8	DESCRIPTION 450E-8 MEMBRANE HOUSING
		DRAWING NO. 24450-00	VERSION NO. 12
		TOTAL PAGE: 1	