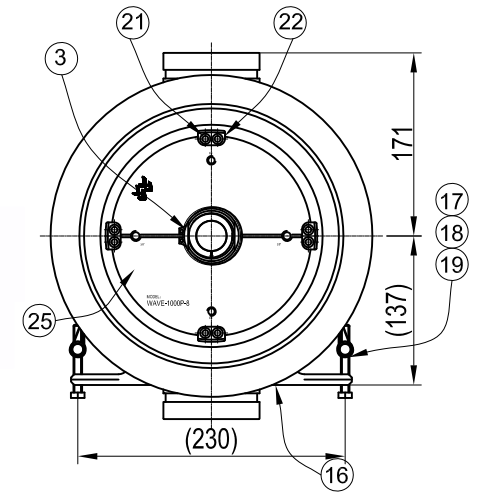


PERMEATE PORT
 OPTION F---NPT 1" FEMALE THREAD;
 OPTION G---Rp 1" FEMALE THREAD;
 OPTION H--- UNION ADAPTOR;
 FIT 32mm(O.D) PIPE
 OPTION J---UNION ADAPTOR;
 FIT 1.32"(O.D) PIPE
 OPTION V---Mechanical Coupling 1"-ABS;
 OPTION S---Mechanical Coupling 1"-SS;

WARNING!
 PRESSURE IN THE PERMEATE PORT
 SHALL NOT EXCEED 125 PSI (0.86MPa)



1. Flexible piping should be used on permeate connection to manifold.
2. Side port misalignment can not exceed 0.7mm in any direction.
3. MPV is not designed for negative pressures.

BEARING PLATE	23100-09-01	ALUMINUM PLATE	20317	ASME CODE PRODUCT
1000 PSI	23100-09	ALUMINUM STICK	20062	
DESCRIPTION	DRAWING NO.	MATERIAL	COMPUTER NO.	REMARK

PERMEATE PORT 1000 PSI	23300-10-08-02	UF	VICTAULIC 1.5"	11522
	23300-10-09-01	N	NPT 1 1/2" MALE THREAD	11528
	23300-10-06-01	M	NPT 1 1/4" MALE THREAD	11516
	23300-10-05-01	S	MECHANICAL COUPLING 1"-SS	11497
	23300-10-05-01	V	MECHANICAL COUPLING 1"-ABS	11497
	23300-10-05-01	J	UNION ADAPTOR 1"(1.32")	11497
	23300-10-05-01	F	NPT 1" FEMALE THREAD	11497
	23300-10-05-01	G	Rp 1" FEMALE THREAD	11497
DESCRIPTION	DRAWING NO.	CODE	PERMEATE PORT SPECS	COMPUTER CODE

SHELL Length Code	L Inch (mm)	P Standard Inch (mm)	S Span Inch (mm)
-1	65.0 (1652)	47 (1194)	1@16 (420)
-1.5	85.0 (2160)	67 (1702)	1@36 (910)
-2	105.0 (2668)	87 (2210)	1@55 (1400)
-3	145.0 (3684)	127 (3226)	1@80 (2032)
-4	185.0 (4700)	167 (4242)	2@64 (1626)
-5	225.0 (5716)	207 (5258)	2@78 (1981)
-6	265.0 (6732)	247 (6274)	2@92 (2337)
-7	305.0 (7748)	287 (7290)	2@106 (2692)
-7.5	325.0 (8256)	307 (7798)	2@114 (2896)
-8	345.0 (8764)	327 (8306)	2@120 (3048)

27	SIDE PORT WASHER	23100-26	2	304	20303
26	SIDE PORT GASKET	23100-46-04	2	304	20286
25	ALUMINUM PLATE LABEL		2	ADHESIVE LABEL	40845
24	LOGO LABEL		1	ADHESIVE LABEL	40255
23	SERIAL NO LABEL		1	ARTPAPER 20*53	40425
22	RETAINING BLOCK	23300-36-01	8	316	20183-4
21	SCREW	GB819-85	16	M5*14 STAINLESS STEEL	20833
20	STRAP PROTECTIVE JACKET	23300-19	2or3	SOFT PVC	10188
19	STRAP SCREW		4or6	M8*120 STAINLESS STEEL	21059
18	STRAP NUT	23300-18	4or6	Hpb59-1	20123
17	STRAP	23300-17	2or3	304	20123
16	SADDLE	23300-16	2or3	LDPE	10141-1
15	EMBEDDED RING	23100-10	2	316L	20190
14	ADAPTOR O RING	23300-14	4	EPDM	10182
13	ADAPTOR	23300-13	2	ABS	10125
12	RETAINING RING	23100-12	2	316	20024
11	HEAD SEAL	23300-26	2	EPDM	10175
10	PERMEATE PORT(1000PSI)	SEE "PERMEATE PORT CONFIGURATIONS"	2	PP	SEE THE CHART
9	BEARING PLATE	SEE "BEARING PLATE CONFIGURATIONS"	2	SEE THE CONFIGURATIONS	SEE THE CHART
8	PERMEATE PORT O RING	23300-08	2	EPDM	10181
7	THRUST CONE	23300-07	1	PP	10192
6	SIDE PORT NUT	27300-05-04	2	304	21108
5	SIDE PORT SEAL GASKET	23100-43-01	2	EPDM	11763
4	CURVED SIDE PORT SEAL	23100-07-04	2	EPDM	10491
3	PERMEATE RETAINING RING	23300-03	2	316	20107
2	SIDE PORT	23100-02-07-04	2	S32750	20389-1
1	SHELL	23100-01-05	1	FIBER GLASS + EPOXY	
ITEM	DESCRIPTION	DRAWING NO.	QTY	MATERIAL	COMPUTER CODE

TECHNICAL REQUIREMENT
 1. DESIGN PRESSURE 1000Psi(7.0MPa);
 2. DESIGN TEMPERATURE 150°F(65°C) ;
 3. MIN ALLOWABLE TEMPERATURE 20°F(-7°C) ;
 4. WORKING MEDIUM, WATER pH RANGE 3~10;
 5. PLEASE OPERATE IN ACCORDANCE WITH USER MANUAL;
 6. SPARE PARTS FORM JUST FOR REFERENCE, SPECIFIC FORM OF THE SPARE PART DRAWING PREVAIL.

REVISION		SIGNATURE		DATA	
REFERENTIAL PLASTIC SHRINKAGE (IF NECESSARY):		THE DIMENSIONS ARE FOR REFERENCE ONLY			
SIGNATURE		WAVE CYBER (SHANGHAI) CO., LTD.			
DESIGN	NAME	DATE	SCALE	MATERIAL	MODEL WAVE-1000P-8
INSPECTION			1:7		DESCRIPTION
APPROVAL			QUANTITY	SMOOTHNESS	1000P-8 MEMBRANE HOUSING (Hi-Flo)
THIS PRODUCT DRAWING CAN NOT BE COPIED AND/OR USED WITHOUT PRIOR WRITTEN APPROVAL OF WAVE CYBER.			PROJECTION	COMPUTER CODE	DRAWING NO.
					23100-00-03
			UNIT: MM	TOTAL PAGE: 1	